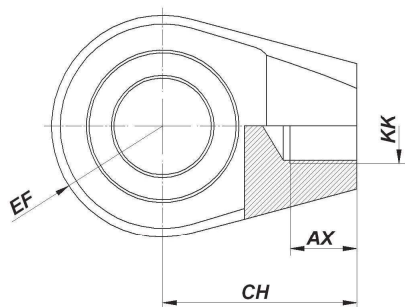
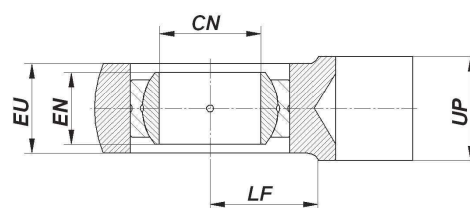
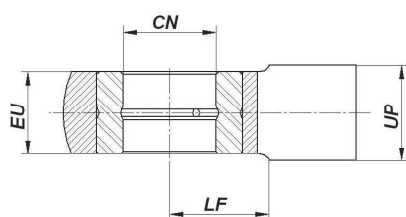
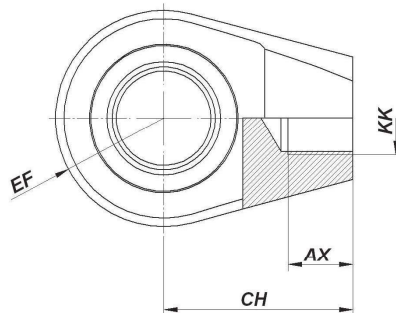


cylinder lugs with internal thread

UUE1-...w



UUE2-...w



CYLINDER DIAMETER	40	50	63	80	100	125	140	160
AX	22	22	28	34	40	50	56	60
CH	50	56	70	88	105	135	150	170
CN	25	30	35	40	50	60	70	80
EF	30	36	40	50	60	73	84	97
EU	24*	26*	31*	32*	40	55	60	65
EN	20	22	25	28	35	44	49	55
KK	M16x1.5	M22x1.5	M27x2	M33x2	M42x2	M48x2	M56x2	M64x2
LF	-	28	36	45	56	70	80	90
UP	24	30	36	46	60	75	85	95

*EU tolerated dimension according to PN-EN 10243-1 Class F

PONAR Luban Sp. z o.o. reserves the right to implement design modifications not affecting cylinder casing.