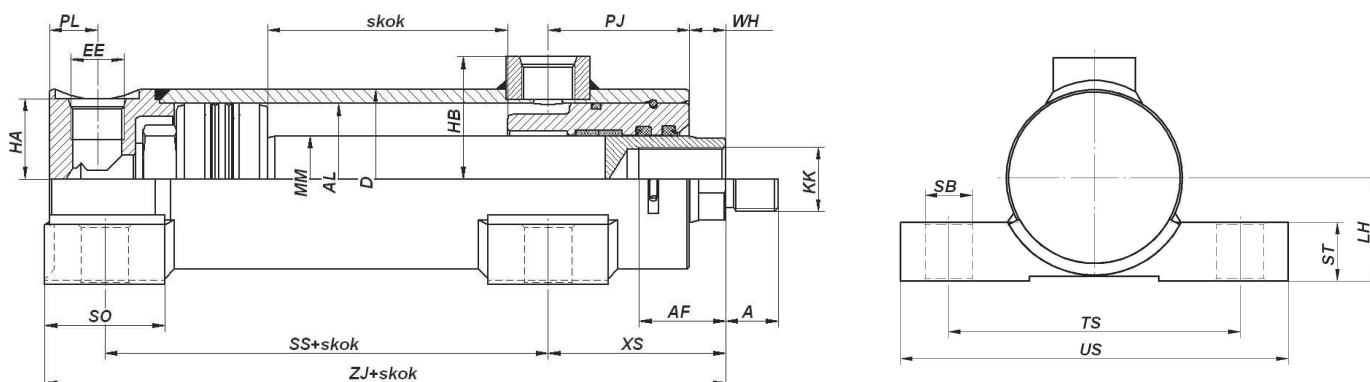


hydraulic piston cylinders UCJ7F



AL	40	50	63	80	100	125	140	160
MM	22	28	36	45	56	70	80	90
A	18	20	22	30	36	45	50	56
AF	16	30	36	45	50	63	75	85
D	50	60	75	95	120	145	165	185
EE	M16x1.5*	M16x1.5*	M22x1.5*	M27x2*	M33x2*	M33x2*	M33x2*	M33x2*
HA	22	28	34	44	65	80	80	100
HB	36	42	50	62	75	88	98	110
KK	M16x1.5	M22x1.5	M27x2	M33x2	M42x2	M48x2	M56x2	M64x2
LH	31	38	44	57	68	85	95	115
PL	16	17	20	27	28	35	35	32
PJ	48	47	59	67	67	82	87	99
SB	11	14	20	20	26	26	30	33
SO	30	35	50	50	50	60	70	75
SS	64	73	85	105	124	138	166	154
ST	15	18	25	30	35	35	35	40
TS	83	102	124	149	172	205	220	250
US	110	130	165	190	240	255	280	310
WH	10	15	15	18	21	23	26	36
XS	58	62	74	85	96	108	115	99
ZJ	138	152	184	217	247	281	316	321

Standardised pitch sequence: 100, 125, 160, 200, 250, 320, 400, 500, 630, 800, 1000, 1250, 1600, 2000

Piston pitch and piston rod diameters may be selected outside the typical sequence according to individual customer needs.

AL Piston diameters—25, 32, 60, 70, 90, 110, 150, 180, 200—provided upon special customer order.

* oil connections according to PN-64/M-73101

PONAR Luban Sp. z o.o. reserves the right to implement design modifications not affecting cylinder casing.