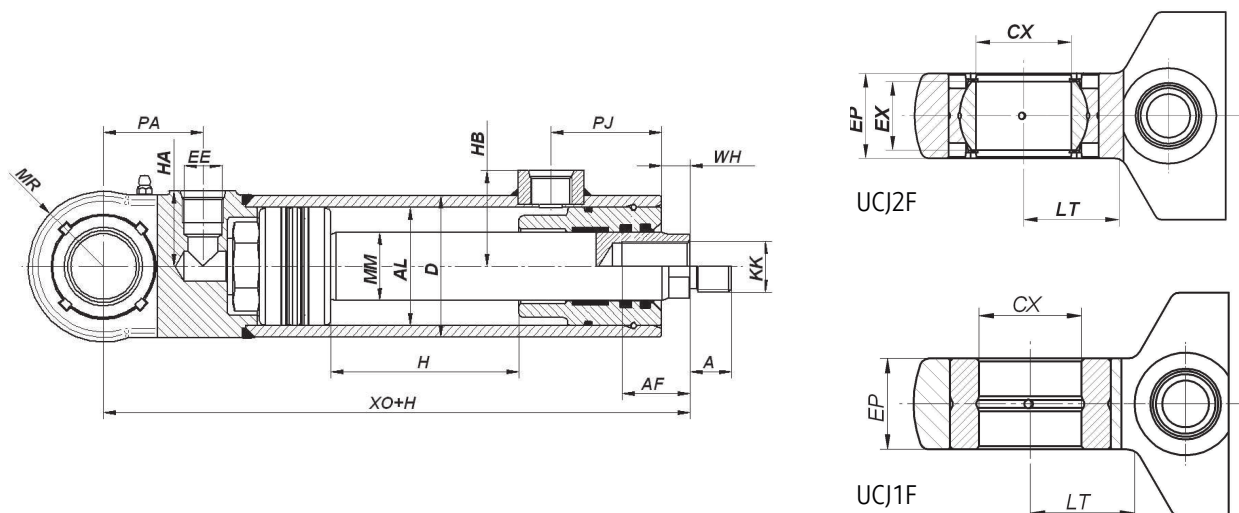


hydraulic piston cylinders UCJ1F, UCJ2F



AL	40	50	63	80	100	125	140	160
MM	22	28	36	45	56	70	80	90
A	18	20	22	30	36	45	50	56
AF	16	30	36	45	50	63	75	85
CX	25	30	35	40	50	60	70	80
D	50	60	75	95	120	145	165	185
EE	M16x1.5*	M16x1.5*	M22x1.5*	M27x2*	M33x2*	M33x2*	M33x2*	M33x2*
EP	24**	26**	31**	32**	40	50	60	65
EX	20	22	25	28	35	44	49	55
HA	28	32	40	50	74	69	80	100
HB	36	42	50	62	75	88	98	110
KK	M16x1.5	M22x1.5	M27x2	M33x2	M42x2	M48x2	M56x2	M64x2
LT	26	28	36	45	56	70	80	90
MR	30	36	40	50	60	70	82	97
PA	38	41	53	65	89	100	110	122
PJ	48	47	59	67	67	82	87	99
WH	10	15	15	18	21	23	26	36
XO	160	176	212	255	300	338	391	411

Standardised pitch sequence: 100, 125, 160, 200, 250, 320, 400, 500, 630, 800, 1000, 1250, 1600, 2000

Piston pitch and piston rod diameters may be selected outside the typical sequence according to individual customer needs.

AL Piston diameters—25, 32, 60, 70, 90, 110, 150, 180, 200—provided upon special customer order.

* oil connections according to PN-64/M-73101

** EP tolerated dimension according to PN-EN 10243-1 Class F

PONAR Luban Sp. z o.o. reserves the right to implement design modifications not affecting cylinder casing.